

Burn Easy Installation Instructions

Diesel Fired Heat Lined

Cremator Setup:

1. Place cremator in open air, on a solid base consisting of concrete or gravel. Keep this site free of all vegetation. Combustibles should not be closer than 6 feet to the main chamber at any time. Consult fuel section for recommendations of fuel supply distance.
2. If afterburner unit is being installed, place the support rod into the bracket before mounting afterburner on the main chamber. The afterburner should be mounted at a right angle to the main chamber with the burner behind the incinerator. Adjust the support rod so that the afterburner is level.
3. Fuel tank should be set a minimum of 8 feet from the unit. The maximum distance is 25 feet. Local codes should be consulted. If the application calls for a distance further than 25 feet, please consult your dealer or manufacturer.

Burner Setup:

1. Remove the four 3/8" nuts and washer from the studs on the burner end plates of the cremator and afterburner. Mount the burners using the slotted holes on the burner flanges. The main burn will have a digital controller. The afterburner will use a turn knob timer. Please note that the flanges are welded on at an angle so that the flame points downward. Tighten all bolts securely.
2. Remove the rubber "O" ring from the heat probe. This is for shipping purposes only. Insert heat probe into the pipe fitting above burner unit. The probe should only be inserted into the burning chamber 2-3 inches. Tighten compression fitting using only your fingers. Do not over tighten!
3. The feed or inlet line should be plumbed from the bottom of the fuel tank. Before installing the inlet line, a fuel filter and shut off valve should be placed on the fuel tank. The manufacturer recommends using a cartridge type filter. Fuel line for both the inlet and return lines should consist of 3/8" ID copper only.

4. The power cords can now be plugged into your power source. A 20-amp service is recommended using 12-gauge wire.
5. A small piece of insulation should be supplied the cremator. Use this to fill in any gaps between the air tube and the hole that is cut in the refractory end plate.
6. Start the burner. Unit should fire after the fuel line is primed. The burner will self prime if the return line is installed.
7. Check the fuel pump, fittings, and lines for fuel leaks.
8. Install rain shield by bolting the shield to the square flange on the burner. A 3/8 X 1" bolt with washer and nut should be supplied. This shield will have controller instructions as well as phone numbers for technical use.

Burning & Loading:

1. Do not overload! Carcass level should not be above the angle iron covering the front of the door opening. Carcass should also be no closer than 12" to the burner head.
2. Set auto timer for 1 hour per 100 pounds of carcass plus an extra 30 minutes.
3. If using an afterburner unit, always start afterburner before starting the main burner unit. Check local requirements. **Afterburner unit must run while main chamber is burning.** Always run afterburner for an additional 30 minutes. Ex. 2 hours on main unit, 2 hours 30 minutes on afterburner.
4. After unit starts, close the charge door. **Make sure burner is firing before leaving unit!**
5. **NEVER OPEN CHARGE DOOR WHILE UNIT IS BURNING!**

6. **Never reload a HOT unit.** Use the temperature button on the controller to determine the inside temperature of the unit before reloading.
7. Clean out ash before reloading unit. Any unburned carcass that remains should be moved towards the burner end before reloading. Too much ash will affect the performance of the unit. A high ash level can also result in main burner damage.
NEVER TOUCH ANY PART OF THE UNIT WHILE IN OPERATION! SOME METAL PARTS CAN HAVE TEMPERATURES EXCEEDING 1500 F. SERIOUS BURNS CAN RESULT IF UNPROTECTED SKIN COMES IN CONTACT WITH THESE PARTS. PLEASE BE SAFE!
8. **Unit should not exceed 1500 F.** After fuel is shut off it is possible for the temperature inside the unit to rise. Use temperature button on the controller to determine the inside temperature. **If the unit is consistently going over 1500 F consult your dealer for assistance.**

Trouble Shooting:

Caution: Before troubleshooting always unplug burner from power source. Electric shock can occur.

Symptom	Diagnosis	Solution
Motor won't run	Unit is unplugged	Plug into proper power source
	Inadequate circuit breaker	20 Amp
	Reset is kicked	Push in red reset button on the outside of motor
	Controller board is not working properly	Consult dealer or manufacturer
Poor or no fuel spray	Fuel level in tank	Check fuel supply
	Dirty or worn nozzle	Replace nozzle after every 500 gallons of fuel
	Air leaks in fuel lines or fittings	Repair cracked fittings or fuel lines

	Air needs “bled” from lines	Use 3/8” wrench to loosen bleeder valve on pump. Burner must be running. Not required for burners using a return line
	Improper or clogged fuel filter	Use canister type filter. Clean accordingly
	Drive coupler is loose or broken	Tighten motor and fuel pump ends of drive coupler with 5/32” allen wrench
	Failed fuel pump	Remove fuel valve using 9/16” wrench. Start unit. Watch for fuel where valve was removed
	Failed valve	Be sure wiring harness is plugged into solenoid. If pump works and click can be heard but no fuel is seen, valve is bad.
No spark	Worn contact springs	Replace
	Transformer has failed or is weak	Test by using <u>plastic handled screwdriver</u> . Open transformer, start unit, place tip of <u>plastic handled screwdriver</u> on one contact spring, lower shaft towards second contact spring. Transformer should “jump” a 1/4” spark.
	Electrodes are dirty, cracked, or need adjusted	Clean brass buss bars with sand paper and grease remover. Replace any cracked electrodes. Adjust for 1/8” gap at tips above nozzle.

Cremator smokes	Improper air adjustment	Adjust air band for minimum air and no black smoke.
	Unit is overloaded	Air circulation inside unit is important
Control board reads “probe fail” message	Heat probe sensor is bad	Replace
	Yellow probe wire cracked	Replace
	Heat probe plug needs cleaned or replaced.	Replace

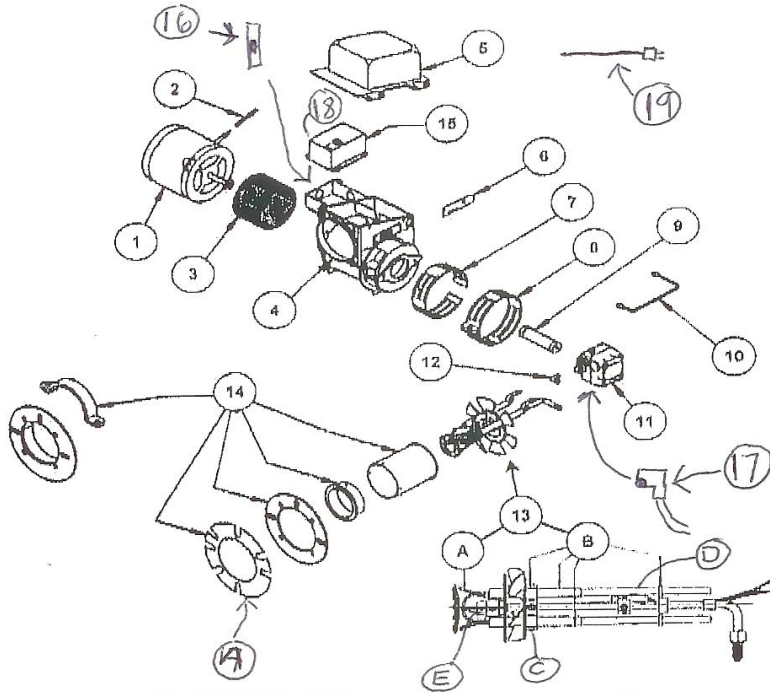
General Maintenance:

The Burn Easy cremator is a very durable and dependable unit. It does require some general maintenance to keep the unit running properly.

1. Replace fuel nozzles on a regular basis.
2. Any broken or missing tile should be replaced immediately. Replacements can be shipped UPS and are relatively easy to repair. This would also include the blanket that is on the inside of the door.
3. Keep unit cleaned out. We recommend cleaning after each burn.

Contact Information:

If at any time you have questions or concerns, please feel free to call R&K Incinerator 1-800-233-1163.



SHIPPING WEIGHT LIST

ITEM	PART NO.	
1	1201	MOTOR
2	1202	POWER CORD
3	1203	BLOWER FAN
	1204	FAN HOUSING
5	1205	TRANSFORMER
6	1206	SLOT COVER PLATE
7	1207	INNER AIR BAND
8	1208	OUTER AIR BAND
9	1209	DRIVE COUPLER
10	1210	OIL LINE ASSY.
11	1211	FUEL PUMP
	1211D	FUEL PUMP
12	1212	OIL LINE ELBOW
13	1213	GUN ASSY.
14-	1230	AIR TUBE ASSY.
16	1105	6HR TIMER
14 A	1216	GASKET
13 C	1224	HOLD DOWN CLAMP
13 A	1225	FLAMELOCK
13 B	1226	ELECTRODE ASSY. W BUSS BAR
13 D	1227	BUSS BAR
13 E	****	NOZZEL
ADDITIONAL PARTS FOR HEAT LINED UNITS		
17	1237	FUEL OIL VALVE
18	1238	CONTROL BOX ONLY
19	1239-160	160 HEAT PROBE
15	1243	A CONTROLLER (New Style)
	1243B	CONTROLLER BOARD

NOZZLES

*1002 1.35gph *1005 1.10gph *1006 2.25gph *1007 2.00gph *1009 1.50gph

* NOT ON EXPLODED VIEW

R&K Limited Warranty Policy

R&K will warranty for 1 year from the date of purchase all materials and workmanship used in the construction of our incinerators, including all electrical parts such as burners, fans, timers, and controllers.

If these parts fail under normal operating conditions, R&K Incinerator will replace or repair the part at R&K Incinerator sole option.

R&K Incinerator is not responsible for any labor cost, and or mileage for the inspection, testing, removal and replacement of said parts or components.

All part should be returned freight prepaid, to R&K Incinerator, 6125 W 100 S, Decatur, IN 46733 for warranty evaluation. No part will be warrantied if it is NOT returned.

A unit or part that has been repaired will carry the Limited Warranty equal to the unexpired portion of the original warranty.

If inspection by R&K Incinerator does not disclose any defect covered by this Limited Warranty, The part will be replaced or repaired at the expense of the customer and R&K repair charges will apply.

This Limited Warranty does NOT cover products which have been damaged as a result of act of nature, accident, abuse, misuse, neglect, improper installation, improper maintenance or failure to operate in accordance with R&K written instruction